

Instruction manual

ZM

Contents

1. Foreword.....	2
2. Warnings regarding safety	2
3. General Description	3
4. Dimensions	4
5. Installation and wiring	4
6. Warnings regarding operation	5
7. Operation of the appliance	6
7.1. Preliminaries.....	6
7.2. User interface and display.....	6
7.3. Switching the appliance on and off.....	6
7.4. Adjusting grinding.....	7
7.5. Menu functionalities.....	8
7.6. Automatic repositioning procedure.....	9
8. Appliance maintenance	10
8.1. Calibration and Mach Mode.....	10
8.2. Battery replacement.....	11
8.3. Alerts related to the presence of hopper and canister/bag holder.....	11
8.4. Service alert.....	11
8.5. Save the date of the actual burrs replacement day.....	11
8.6. Noise level.....	12
8.7. Safety device.....	12
8.8. Display total reset.....	12
8.9. Cleaning the appliance.....	13
9. Disposal	13

1. Foreword

Read this manual from cover to cover before using the appliance as it contains important instructions for the safety, operation and maintenance of the appliance.

Look after this manual and keep it in a safe place.

The manufacturer reserves the right to make changes to the product and to the manual.

2. Warnings regarding safety

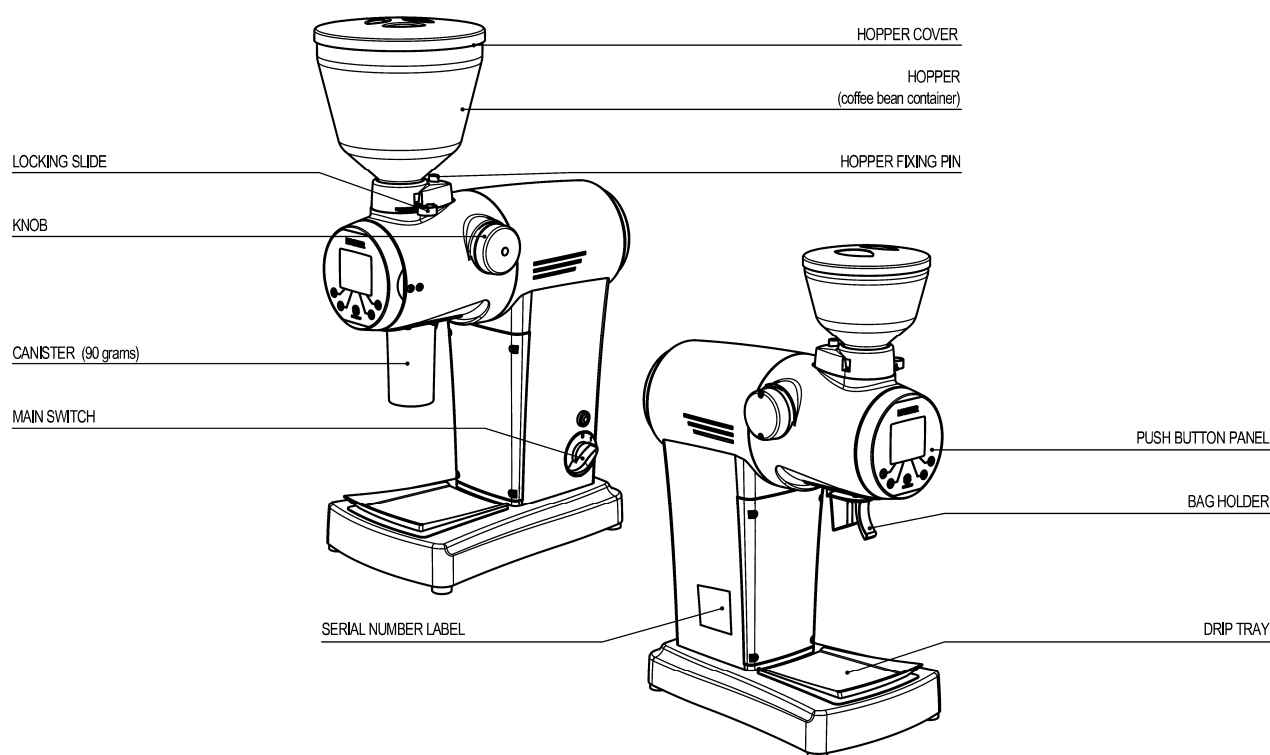
The coffee grinders, grinder-dosers and electronic grinder-dosers are intended for skilled personnel only for professional use and not for household use. The user must be an adult.

This electrical appliance must be used in conformity with the rules in force governing safe operation:

- Do not allow children or incapable persons to use the appliance and/or play with the appliance.
- Grind **solely** coffee beans. Any other use is understood to be improper, and consequently hazardous. Do not use the appliance for grinding other types of food, or anything else.
- **When operating the appliance, beware of the moving mechanical parts' in the area of the grinding blades and of the ground coffee outlet. Before removing the hopper from the grinding system, disconnect the power supply. Avoid removing foreign bodies from the grinding system or hopper without first unplugging the appliance from the mains.**
- Take care, as the grinding blades may continue rotating for a short while even after the appliance is switched off.
- **The user is not authorized to remove screws or any parts screwed onto the appliance.**
- In the event the appliance is not working properly or is faulty, contact skilled technical personnel, and do not attempt to make repairs yourself.
- In the event of damage of the power cord or plug, contact skilled technical personnel in order to avoid any hazard.
- **Before performing any work on the appliance, including cleaning and/or maintenance, disconnect it from the power supply by unplugging. The removal of the plug has to be such that an operator can check from any of the points to which he has access that the plug remains removed. Turning off the appliance using its master switch does not assure the same conditions of safety.**
- Do not tamper with the appliance.
- When the appliance is left unattended, the appliance's power supply must be disconnected using its master switch (for example, at night, during work breaks, midweek closing or holidays).
- Do not let liquids of any kind come into contact with the internal or external parts of the appliance.
- Never put ground coffee in the hopper intended only for coffee beans.

- Do not tug on the supply cable to unplug the appliance from the mains.
- Do not touch the appliance with damp or wet hands or feet.
- Do not use the appliance barefoot.
- Due to the weight of the grinder (36 kg), use appropriate precautions for handling it.
- The packaging materials must be kept out of the reach of children as they represent a potential source of danger. Keep the packaging until the warranty has expired.
- This appliance is intended for use at maximum altitudes of 2000 meters.
- In event of disposal of this appliance, follow the instructions in chapter 9.
- The manufacturer cannot be held responsible for bodily injury or damage to property if these regulations are not complied with.

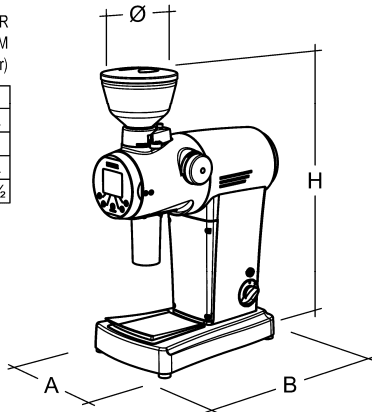
3. General Description



4. Dimensions

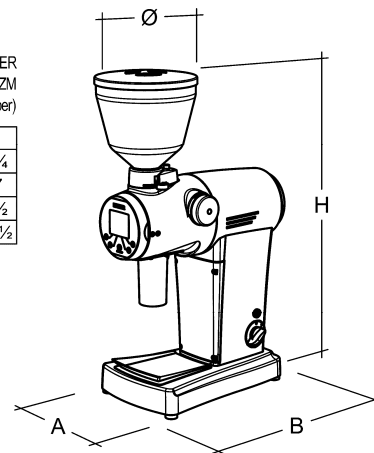
COFFEE GRINDER
ZM
(320g hopper)

	mm	in
A	245	9 ¾
B	430	17
ø	160	6 ¼
H	645	25 ½



COFFEE GRINDER
ZM
(1,3kg hopper)

	mm	in
A	245	9 ¾
B	430	17
ø	215	8 ½
H	720	28 ½



5. Installation and wiring

Installation and maintenance (as stated in section 8, of this booklet), shall be solely carried out by person having knowledge and practical experience of the appliance, in particular for what is concerning safety and hygiene, in conformity with the safety rules in force. Incorrect installation may result in injury of persons or animals, or damage to property, for which the manufacturer cannot be held responsible.

- On opening the packaging, check carefully to make sure the appliance is intact and that there are no signs of damage. If in any doubt, do not use the unit and contact your service reference.
- The appliance must be placed on a stable, flat surface (we recommend to install the appliance at an height between 80 and 100 cm from the floor).
- Before plugging in the appliance, make sure the voltage and frequency values of the supply mains correspond to the ratings indicated on the label featuring the appliance's technical data.
- The wall socket must be fitted with an efficient earth contact. Consequently, it is essential to make sure the earth system is efficient and in conformity with current safety rules. If in any doubt, have the system thoroughly checked by personnel with the appropriate professional skills.

It is compulsory to earth the appliance. The manufacturer cannot be held responsible in the event this regulation is not complied with.

- It is essential to make sure the ratings of the system are suitable for the power absorbed by the appliance - as indicated on the label featuring the technical data - and that the wall socket is protected against overcurrents.
- Do not use extension cables, plug adapters for multiple sockets or makeshift connections.
- In EU member countries, the regulation in force calls for the external equipotential terminal ∇ on the outer part of the appliance's base plate to be connected to a equipotential node if the installation is to be correct.
- The motor must rotate clockwise.
- The appliance is suitable for indoor use only. Do not install the appliance outdoors.

- For an optimal functioning of the appliance a room temperature range from 15°C to 35°C is suggested.
- Thoroughly clean the appliance at the first installation; follow the instructions in chapter 8.
- The appliance is not suitable for installation in an area where a water jet could be used.
- For the correct use of the grinding blades, at the first installation or whenever the grinding blades have been replaced, grind some doses of coffee. Do not use those first doses.
- The appliance is only to be installed in locations where its use and maintenance is restricted to trained personnel.
- A minimum clearance of 15 cm (6.0 inches) is required between the grinder and any adjacent walls (or other adjacent appliances). Frontal side must be open.
- Do not install the appliance near to water dispenser or similar product that could throw water jet on the appliance.
- Launch the calibration procedure during the installation (follow the instructions in section 8.1).

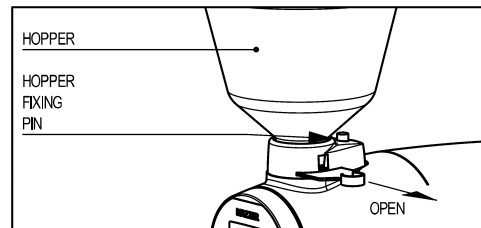
6. Warnings regarding operation

- Do not leave the appliances turned ON without coffee in the hopper.
The appliance is gifted of a stop function for the motor. This function is activated after 5 minutes of continuous operation.
- During operation with bag holder it is indispensable that the spillage of the ground coffee from the discharge tube is not obstructed in any way, in order to avoid the blocking of the grinder. So be careful not to use bags for ground coffee too small for the amount of coffee to be ground.
- During operation with canister, make sure not to put in the hopper a quantity of coffee greater than the capacity of the canister (90 grams).
- Do not insert, when filling the hopper with coffee beans, foreign objects. Handle with clean hands.
- After any hopper filling and in normal use of the appliance, the hopper lid must be positioned correctly.
- Do not beat the screen with your fingers or other objects that could damage it.
- OPERATING RANGE OF THE MOTOR
In the versions with single-phase motors, observe the duty cycle stated in the label located on the side of the appliance.
E. g. : a data on the label 35s ON / 45s OFF points out an allowed duty cycle of 35 seconds switched on and 45 seconds switched off.

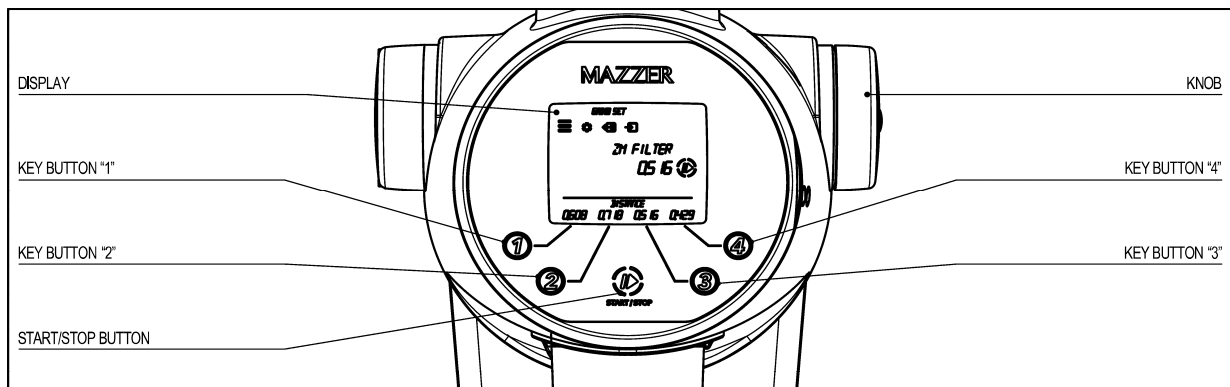
7. Operation of the appliance

7.1. Preliminaries

Make sure the hopper is positioned correctly on the appliance and fixed to the body with the relevant pins.

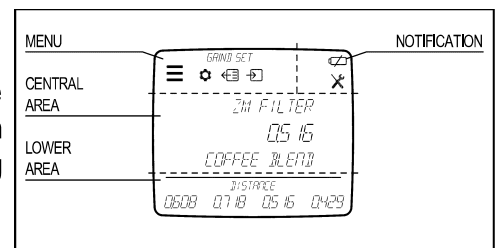


7.2. User interface and display



The display is composed by 4 areas (see example in the image with display on standby mode):

- Menu *Grind/Set*
- Notifications
- Central area: on standby mode, this area is composed by 3 lines. You can customize the first line. Second line is given and shows the grinding regulation as per distance between the grinding blades in millimeters. Third line shows the name of the blend/grinding regulations set.
- Lower area: this area is variable, depending on the mode selected in the menu and gives you the freedom to set specific times/grinding regulations on the four keys.



7.3. Switching the appliance on and off

In order to power up the appliance, turn the on-off switch knob to I.

Functioning with canister

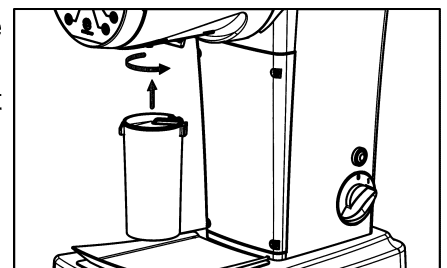
Weigh with a precision balance the amount of coffee beans that you want to grind, being careful not to exceed the capacity of the canister (approximately 90 grams).

Close the locking slide and fill the hopper with the coffee beans previously weighed. Open the locking slide so as to allow the entry of the coffee beans in the grinding chamber.

Attach the canister to the grinder. The attaching of the canister is done through a bayonet mechanism. After attaching the canister, press the start/stop button to begin grinding (in ON position the button is bright).

Once all the coffee introduced into the hopper has been ground, leave the motor turning without coffee beans for some extra seconds, so to grind completely the dose. Stop grinding by pressing the start/stop button (in OFF position the button is not bright).

Remove the canister and pour the ground coffee in the filter for the preparation of the beverage.



Functioning with bag holder

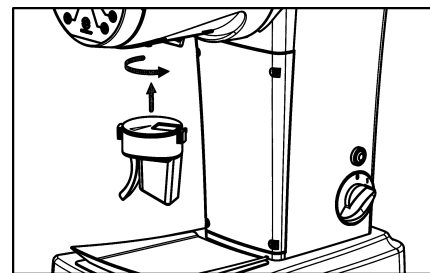
Make sure the bag holder is properly engaged to the grinder; the attaching is done through a bayonet mechanism.

Close the locking slide and fill the hopper with coffee beans. Open the locking slide so as to allow the entry of the coffee beans in the grinding chamber.

After having positioned and locked the bag, press the start/stop button to begin grinding (in ON position the button is bright).

Once the desired amount of coffee has been ground, stop grinding by pressing the start/stop button (in OFF position the button is not bright).

Remove the bag of ground coffee, taking care to shake the handle of the discharge tube for the complete exit of coffee.



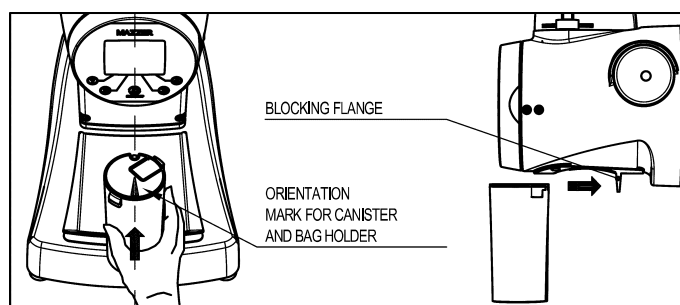
On time mode, you can grind by time pressing the given keys (see section: How to Use).

In order to switch off the appliance manually, set the on-off switch knob to O.

To facilitate the operation of attaching the canister / bag holder to the grinder, we recommend using the indication present on the upper surface of the canister / bag holder.

Align the orientation mark to the axis of the grinder and bring the canister / bag holder up to a contact with the blocking flange.

Push up the canister and rotate counterclockwise to effect the attaching.



7.4. Adjusting grinding

- To achieve finer or coarser grinding proceed as follow:
- Starting from the standby visualization, turn the knob and select the following icon: . Press the knob to confirm. As an alternative, you can select the option set from the submenu grind set): the display starts flashing.
- Turn the knob clockwise to increase the thickness of the ground coffee (i.e. grind coarser) or counterclockwise to reduce the thickness of the ground coffee (i.e. grind finer).
- Press the knob to confirm: the appliance moves the grinding blades according to the intended regulation. The first line of the display shows the wording "going to" until the regulation is completed.

Grind small amounts of coffee in order to determine the optimal degree of fineness.

If the percolation of the beverage is very fast it means that the coffee is ground too coarsely. If, however, the percolation is very slow it means that the coffee is ground too finely. Please also consider that there are multiple conditions that may affect the proper percolation, such as the weight of the dose and the cleaning of the filters.

The adjustment must be performed preferably without any coffee between the grinding blades. However, an automatic procedure in the grinder allows to regulate the distance between the burrs even if there's coffee in the grinding chamber: for instance, in case the coffee impedes the movement of the burrs, the grinder stops the approaching movement so to prevent the burrs from getting stuck for coffee compression. In this condition, in which the desired distance is not reached yet, the first line of the display shows the wording "grind to reach" and the appliance stays in holding position. When the user activates the grinding by pressing the proper key, the grinder will reach the requested distance freeing itself the way from the coffee with short grinding sessions. Once the burrs will be at the desired distance, the grinding will automatically start.


How to save a grinding regulation

This functionality allows to save the present regulation in order to quickly recall it afterwards (up to 20 positions can be saved).

- Start from the display on standby mode. Turn the knob and select the icon: . Press the knob to confirm. As an alternative, you can select the option save from the submenu grind set). The display shows all saved regulations.
- To save a new regulation, turn the knob until you reach an empty position on the center line (if the appliance is brand new, all positions are empty). You can position over a saved regulation to overwrite a new regulation.
- Using the knob, insert the name of the new regulation (turn to scroll letters and numbers and press the knob to move to the following character).
- Press the knob for 2 seconds to confirm the text.
- Confirm the saving by selecting ok and pressing the knob.

Uploading saved regulations

This functionality allows you to upload a saved regulation.

- Start from the display on standby mode. Turn the knob and select the icon: . Press the knob to confirm. As an alternative, you can select the option load from the submenu grind set). The display shows all saved regulations.
- Turn the knob and position with the center line on the regulation you want to recall.
- Press the knob to confirm: the appliance moves the grinding blades according to the intended regulation. The display flashes until the regulation is completed.

Deleting saved regulations

This functionality allows you to delete a saved regulation.

- In the menu, choose the option *delete* from the *grind set* submenu. The display shows the list of all saved regulations.
- Turn the knob and position with the center line on the regulation you want to delete and press the knob.
- Confirm the deletion by selecting ok and pressing the knob. Select esc to quit without deleting the regulation.

How to save a known grinding regulation

This functionality allows you to save a any grinding regulation included in the range of permitted regulation.

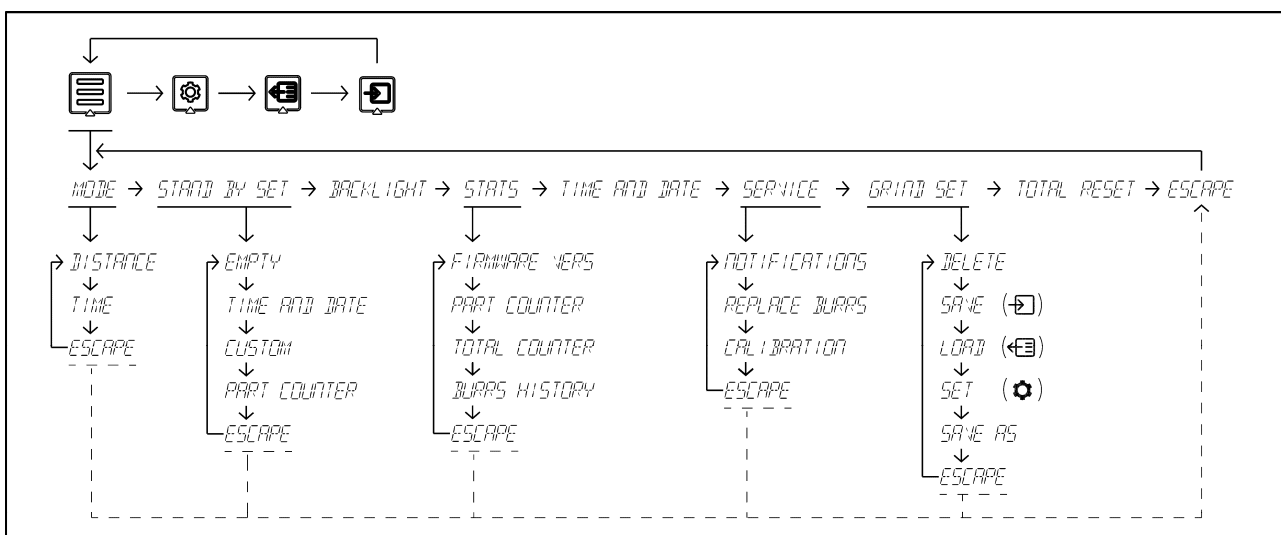
- In the menu, choose the option *save as* from the *grind set* submenu. The second line of the display shows the burrs distance
- Turn the knob to search the desired burrs distance and push the knob. The display shows all saved regulations.
- To save a new regulation, turn the knob until you reach an empty position on the center line (if the appliance is brand new, all positions are empty). You can position over a saved regulation to overwrite a new regulation.
- Using the knob, insert the name of the new regulation (turn to scroll letters and numbers and press the knob to move to the following character).
- Press the knob for 2 seconds to confirm the text.
- Confirm the saving by selecting ok and pressing the knob.

7.5. Menu functionalities

Turn the rotary knob on the right of the appliance to scroll the icons in the *Grind Set* menu; you can select the desired function by pressing the knob. If no selection, after 5 seconds the display sets back by default on the standby visualization.

You can scroll the menu options by turning the knob; you confirm the option visualized in the center line (highlighted with bigger characters) by pressing the knob.

With the selection escape you go back in the menu and finally to the standby visualization.



How to Use

The appliance can operate in two different modes (which can be selected in the *mode* submenu):

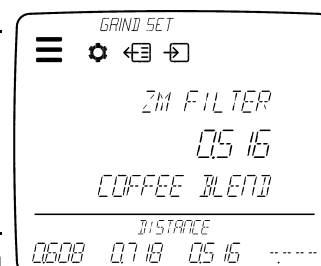
Distance mode

With this selection in the mode submenu, the wording "distance" will show up in the lower area of the display.

Under this mode, you can link the four keys to four different saved positions of the grinding blades, which means four settings of different ground coffee granulometry. You can recall the position by pressing the corresponding key: the grinder will automatically reposition the blades.

To link the keys to the saved positions, start from the standby visualization and press for 1 second the intended key: the appliance displays the list of saved regulations/positions. Turn the knob for scrolling and press to confirm the link.

For the keys with no link, the display shows the following indication: [-.--].



Time mode

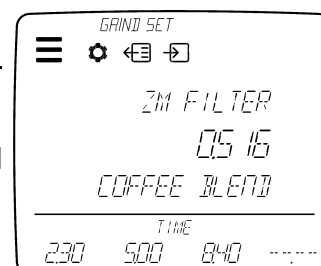
With this selection in the mode submenu, the wording "time" will show up in the lower area of the display.

Under this mode, you can link the four keys to four different grinding times. By pressing a key, the appliance will grind according to the saved time.

To regulate the grinding time, start from the standby visualization and press for 1 second the intended key: the display starts flashing.

Turn the knob clockwise to increase/counterclockwise to reduce the time and press to confirm.

For the keys with no time, the display shows the following indication: [-.--].



Customize display on standby mode

On the submenu *stand by set*, you can customize the first line of the display. On this submenu, in particular, you can set to display the current date and time, a desired text or the partial working time (in working hours/minutes/seconds).

Backlight

On the submenu *backlight*, you can set the display brightness. Turn the knob to increase/reduce the brightness and press to confirm.

Statistics

On the submenu *stats*, you can see the working statistics. In particular:

- See and reset the partial working time clock.
- See the total working time.
- See the list of all grinding blades replacements.

Set date and time

On the submenu *time and date* you can set date and time.

7.6. Automatic repositioning procedure

A repositioning of the burrs (zero) might be necessary when switching on the grinder. The repositioning is an embedded procedure which starts automatically whenever the position of the burrs could not be successfully saved in the grinder data memory (for instance, in case the grinder was switched off during the burrs movement).

At the power on, when is necessary to perform the repositioning of the burrs, the display shows the wording "zero required push knob"; in order to run the repositioning procedure push the knob (the appliance can not use for grinding). The wording "zeroing in progress" flashes until completion of the procedure, which lasts some minutes.

At the end of the procedure the appliance moves the grinding blades according to the last regulation set before power off.

While running the procedure the grinder activates the rotation of the burrs for some seconds every now and then.

Canister and hopper have to be in place for the whole duration of the procedure.

8. Appliance maintenance

Instructions stated in this section shall be solely carried by persons having knowledge and practical experience of the appliance, in particular for what is concerning safety and hygiene, after disconnecting the appliance from the mains supply by removing the plug from the power outlet.

In order to assure the lasting efficiency of the appliance, skilled technical personnel must be called in to perform periodical maintenance, including detailed checks of the state of those components subject to wear.

- It is recommended to use original spare parts only.
- It is essential to check monthly the state of the supply cable and plug periodically.
In the event the supply cable or plug are damaged, call in skilled technical personnel to replace them, this to prevent any risk.
In CEE-certified appliances, a special tool is required to open the base plate to get at the cable.
- For an optimal functioning of the appliance a room temperature range from 15°C to 35°C is suggested.
- Grind solely coffee beans. Any other use is understood to be improper, and consequently hazardous. The manufacturer cannot be held responsible for any damage as a result of improper or incorrect use. Do not use the appliance for grinding other types of food, or anything else.
- The appliance is equipped with a notification system that warns when it is time to replace the grinding blades. The correct operation of this function is guaranteed only with the use of genuine grinding blades. We recommend anyway to check periodically the state of the grinding blades. Keeping the grinding blades in an excellent state assures high-quality grinding, resulting in greater productivity and limited overheating. **The grinding blades replacement must be done only after disconnecting the appliance from the power supply by unplugging.** For the correct use, whenever the grinding blades have been replaced, grind some doses of coffee. Do not use those first doses.

8.1. Calibration and Mech Mode

The calibration procedure has to be launched at the first installation of the grinder and after every replacement of the burrs.

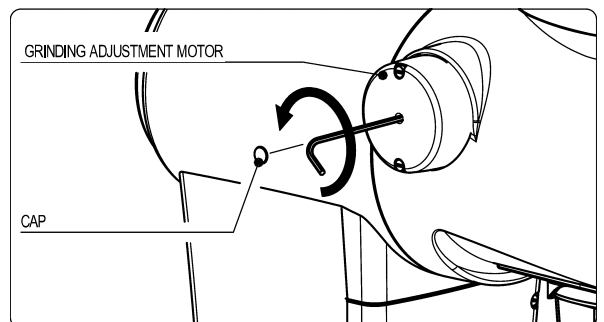
Ground coffee between the burrs can modify the calibration result. It is recommended, before proceeding with the calibration procedure, to clean the grinding blades and the entire grinding system thoroughly (follow the instructions at the end of this chapter).

To launch the calibration procedure, select *calibration* on the *service* submenu, press for 1 second the start/stop key and then press the knob (keeping the start / stop key pressed). On the display flashes the wording "*calibration in progress*" until completion of the procedure, which lasts some minutes.

Mech mode

During the calibration procedure, a manual servicing task may be necessary (for example due to a voltage surge or drop). The appliance indicates the need for such servicing task through the message "*see instr manual mech mode*" that will be displayed. Follow the instructions below.

- Remove the cap of the grinding adjustment motor on the left side of the appliance.
- Rotate the knob to *<ok>*. Press the knob to confirm; the display shows the message "*did you unscrew?*".
- Using a 2.5 mm hex wrench, rotate the grinding adjustment motor approximately by 360° counterclockwise, and refit the cap. **Never rotate the motor clockwise.**
- Rotate the knob to *<yes>*. Press the knob to confirm; the display will show again the message "*calibration in progress*" flashing, until the procedure is completed.




At the end of the procedure, the display will return to the standby screen and the burrs will move to the last adjustment carried out prior to starting the calibration. However, if you are performing the first installation, the middle row of the display shows "-.-" and it will be necessary to carry out a grinding adjustment in order to grind.

If it is not requested by the appliance (mech mode intervention), never remove the cover to adjust manually the position of the grinding adjustment motor. Otherwise you may damage the internal adjustment mechanism.

Durante la procedura le macine verranno attivate automaticamente per alcuni istanti.

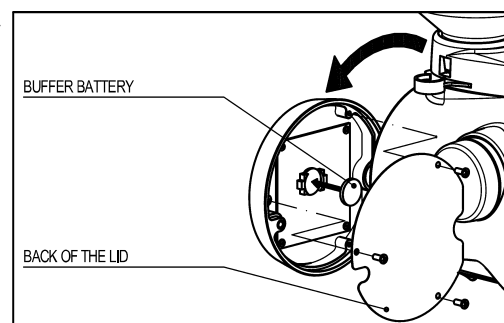
Bicchieri e campana devono rimanere agganciati fino al completamento della procedura.

8.2. Battery replacement

If you see the following red icon on the display , this means the buffer battery (which powers date and time system), is almost exhausted.

Here is how to proceed to replace the buffer battery:

- Rotate the user interface lid by 180° as shown in the picture;
- Take off the back of the lid removing the 3 fixing screws;
- Remove the old battery and replace with a new one, same specifications;
- Put back in place the back of the user interface lid and fix it with its screws;
- Rotate back to the normal position the user interface lid.




8.3. Alerts related to the presence of hopper and canister/bag holder

When trying to start grinding without having properly positioned the hopper, the display will show the string “*insert hopper*” flashing. Analogously, when trying to start grinding without having properly positioned the canister or the bag holder, the display will show the string “*insert canister/bag holder*” flashing.


When these alerts are displayed, check the correct positioning of the hopper and/or the canister/bag holder.

If these alerts are displayed even if the hopper and canister/bag holder are correctly positioned, contact your service reference.

8.4. Service alert

When the display shows the yellow icon  flashing, that is a service alert. These alerts will flash on the display until you press the knob. Service alerts have a different meaning depending on the string displayed (see table below).

NOTIFICATION	MEANING	ACTION
WORN BURRS	GRINDING BURRS ARE WORN	REPLACE BURRS WITH NEW ONES
TIME OUT	THE APPLIANCE HAS A TIMER WHICH STOPS THE MOTOR AFTER WORKING CONTINUOUSLY FOR 5 MINUTES.	/
ADJUST FAIL	ERROR IN GRINDING REGULATION	TRY AGAIN. SHOULD THE PROBLEM PERSIST, CONTACT YOUR SERVICE REFERENCE
CALIB FAIL	ERROR IN THE ZEROING CALIBRATION PROCEDURE	TRY AGAIN. SHOULD THE PROBLEM PERSIST, CONTACT YOUR SERVICE REFERENCE

Service alerts are stored and are accessible with the function notification of the service menu. Using this function, you can scroll through the alerts history with the date and time of their occurrence (if appropriately set) and you can delete them. The presence of service alerts in the history is highlighted in standby by the steady yellow icon .

8.5. Save the date of the actual burrs replacement day

Procedure to save the burrs replacement event is the following.

After actual burrs replacement, enter the submenu replace burrs and select with the knob the kind of burr set just installed. On the display you'll be given the choice from:

filter → standard filter coffee preparation burrs (ref. **151F**, **151G**)

espresso → standard espresso coffee preparation burrs (ref. **151B**)

other → burrs duration customizable in hours of operation.

Confirm the choice with the press of the knob: you'll be given the chance to insert the actual burr replacement date (if you had previously updated the date of the appliance, you'll be offered by default the current date).

Save the date you set positioning the cursor with the knob on OK and confirming with the press of the knob.

Once you've finished the burrs replacement procedure, the burrs replacement alert (if any) will be cancelled from the display.

After burrs replacement, before grinding again, you have to launch the calibration procedure.

8.6. Noise level

European Union:

The daily personal noise exposure of a worker, due ONLY to an appliance's limit operation of 240 minutes per eight hours, is 74dB(A) ± 2.2dB(A) (valued as acoustic pressure).

According to European Directive 2003/10/EC, during the appliance's normal operation, no provisions are to be taken in order to prevent such risks arising or likely to arise from noise exposure at work.

USA & Canada:

The noise level of our appliances is included within the limits stated in U. S. regulation 29 CFR 1910. 95 ('Occupational Health and Environment Control - Occupational noise exposure') for eight hours continuously in a day (in reference to a noise exposure due solely to appliance operation).

Said noise level has been determined on identical news appliances.

8.7. Safety device

Thermal overload protection

The appliance's motor is protected against overheating resulting from overcurrents by a thermal overload protection which, when tripped, cuts off the power supply to the motor. Should the protection trip as a result of anomalous operation, such as the grinding blades jamming, the appliance must be turned off using the on-off switch, **unplugged from the mains, and skilled technical personnel contacted. Never perform any work on the appliance while it is attached to the mains, to avoid the risk that motor turns on suddenly.** If the appliance overheats as a result of the motor stopping, allow the appliance to cool down before performing any repair work.

Motor locking microswitch

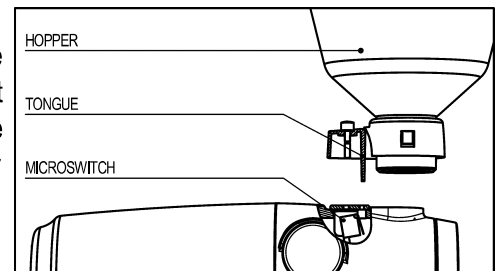
The system of protection from accidental contact with the rotating parts of the grinding system is constituted by two microswitches which interrupt the power supply of the motor.

- Hopper safety microswitch

The button of the hopper safety microswitch is activated by a tongue on the collar of the hopper; if the hopper is removed or not properly positioned, the microswitch is not activated and it does not allow the grinder to operate. For a correct positioning of the hopper, this must be fixed to the casing using the special locking pivot on the hopper collar.

- Canister / bag holder safety microswitch

The button of the canister (or bag holder) safety microswitch is activated through the bayonet mechanism on the canister (or on the bag holder); if the canister (or bag holder) is removed or is not properly positioned in its seat the microswitch is not activated and it does not allow the grinder to operate.



Coffee outlet protection

A security metallic protection has been placed in front of the coffee outlet to avoid the access to the grinding chamber. **Never remove the coffee outlet protection and never replace it with others with different shape.**

8.8. Display total reset

In the display menu there is a restore option (total reset) for the appliance memory reset. **By confirming this option, all data (including the burrs changing history, the saved grinding regulations and the burrs calibration) will be deleted.**

After the reset confirm, the standby display will show the alert "not calibrated" and a new zeroing calibration procedure will be necessary (follow the instructions in chapter 8.1).

8.9. Cleaning the appliance

The appliance must not be cleaned using water jets. Do not install the appliance in rooms where water jets are used for cleaning.

The appliance must be cleaned weekly by skilled technical personnel only.

Use perfectly clean, disinfected cloths or brushes for cleaning.

Do not use abrasive products as these are liable to take the sheen off shiny parts.

Hopper

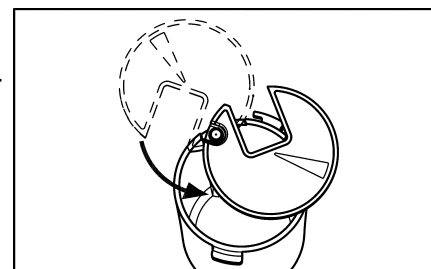
Wash the hopper once it has been removed from the appliance, using neutral soap and water, rinse abundantly with lukewarm water and dry thoroughly. It is advisable to clean the hopper periodically. Once the hopper has been cleaned it must be put back on the appliance properly, fixing it with the relevant pins.

Canister and lid

In order to obtain a correct cleaning of the canister lid, slide it from one extremity to the other (see picture on the side).

To get to the final position, the canister lid must be slightly lifted upwards.

Clean the inner of the canister and the canister lid using a brush and a dry rag.



Bag holder

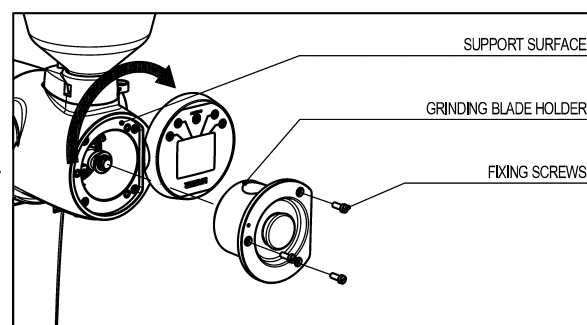
Clean the bag holder using a brush and a dry rag.

Grinding system

Turn the whole user interface lid 180° clockwise.

Unscrew the three screws that fix the grinding blade holder, after having removed it, clean the grinding blades and the entire grinding system thoroughly using a clean brush and dry cloth. To ensure a perfect grinding blade's line up, and a proper grinding, clean the support surfaces of the grinding blade holder and the grinding tray.

After replacing the grinding blade holder on the tray, tighten all the screws. Refit the hopper properly.



9. Disposal

Do not litter: dispose of the packaging materials according to the laws in force.

Should you decide not to use the appliance any more, remember to unplug it so that it cannot be used, and then cut the cable in the point where it comes out of the appliance.

Contact specialized firms for information on the disposal of the components of the appliance.

INFORMATION FOR USERS RESIDING IN THE EUROPEAN UNION



Pursuant to art. 26 of Legislative Decree of March 14, 2014, no. 49: "Implementation of Directive 2012/19/EU on Waste Electrical and Electronic Equipment (WEEE)."

The crossed bin symbol shown here and on the equipment or its box indicates that, at the end of its useful life, the product (EEE) must be collected separately from other waste, with prohibition of disposal with mixed waste.

For more information, visit www.mazzer.com.

NOTES

Mazzer Luigi S.p.a.

Original instructions. All right reserved. It is prohibited to reproduce, adapt or translate this document without prior written authorization.

First Edition: 2015

Last Revised: IZMOL0070 - 03/2019